

ON/ OFF Instructions:

- 1 = OFF
- 2 = Pre-heat Mercury rectifiers until glass is clear
- 3 = PLAY

At Switch off, wait in Pos. 2, until plate current is zero.

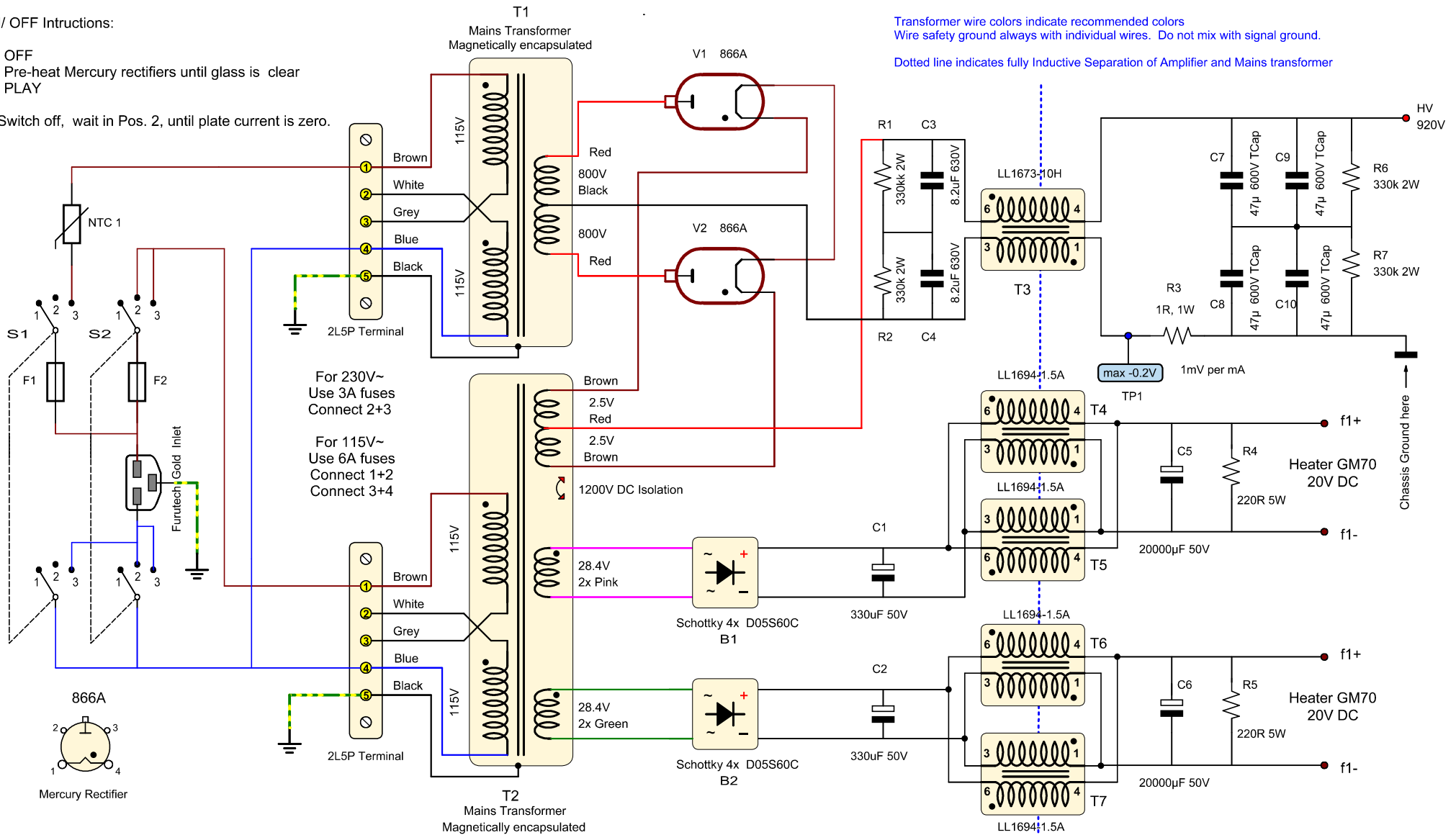
Transformer wire colors indicate recommended colors  
Wire safety ground always with individual wires. Do not mix with signal ground.  
Dotted line indicates fully Inductive Separation of Amplifier and Mains transformer

1

2

3

4



**Attention:**

You may publish this page, but only unchanged and with our company as source.

Any form of commercial use needs our written permission

JAC Music Company \* Horber Steige 25 \* Sulz \* Germany

Revisions

Date	Name	Drawn	Date	Name
9.1.2013	V1.1		24.6.10	JW
				Dipl. Ing. Jac van de Walle



Name:

GM70 Parafeed, Monoblock Power Supply  
With even harmonics cancellation

Copyright www.jacmusic.com

Drawing Nr.:

Page:

3 of 5