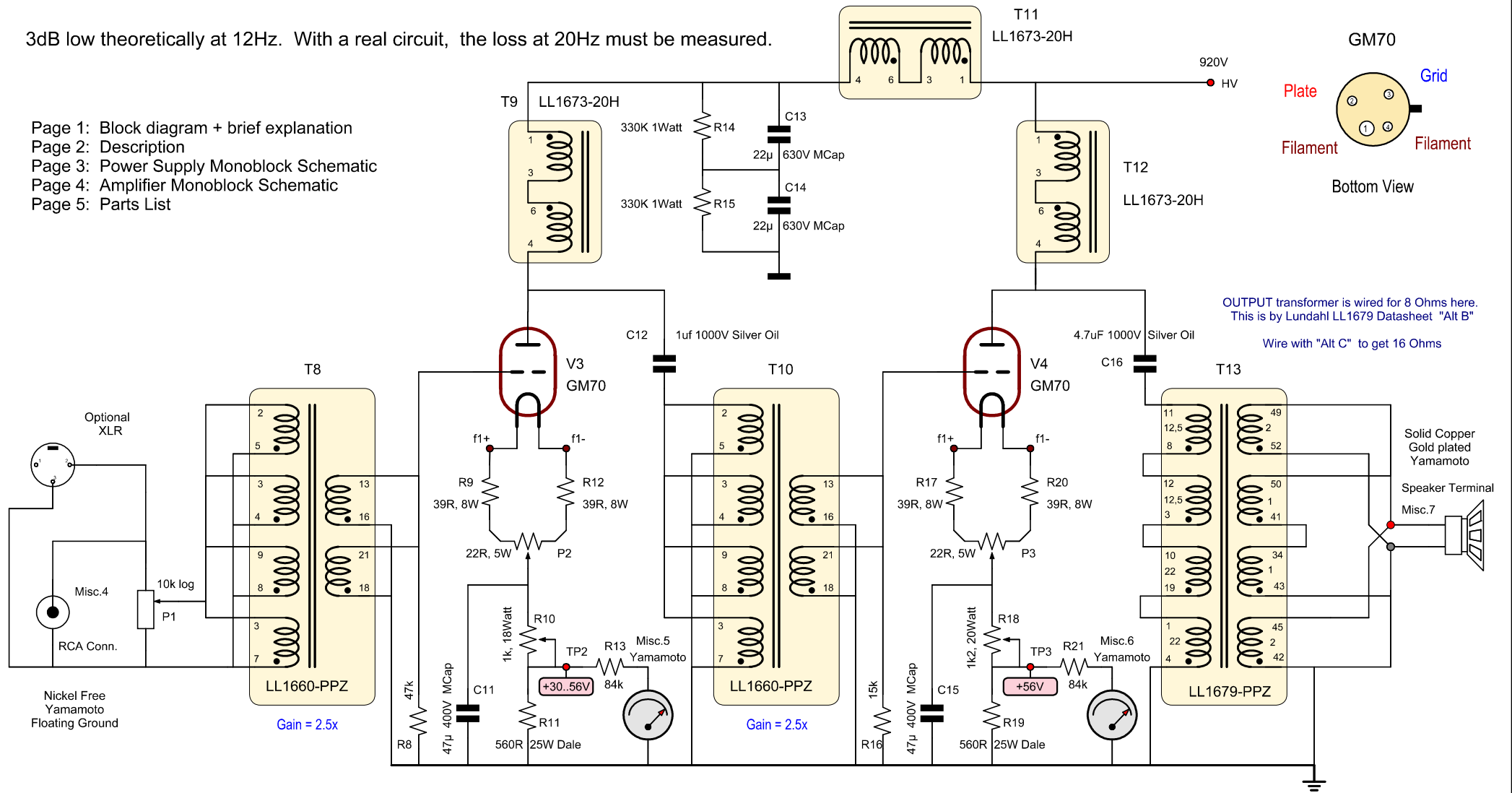


3dB low theoretically at 12Hz. With a real circuit, the loss at 20Hz must be measured.

Page 1: Block diagram + brief explanation
 Page 2: Description
 Page 3: Power Supply Monoblock Schematic
 Page 4: Amplifier Monoblock Schematic
 Page 5: Parts List



OUTPUT transformer is wired for 8 Ohms here.
 This is by Lundahl LL1679 Datasheet "Alt B"
 Wire with "Alt C" to get 16 Ohms

Attention:
 You may publish this page, but only unchanged and with our company as source.
 Any form of commercial use needs our written permission
 JAC Music Company * Horber Steige 25 * Sulz * Germany

| Revisions | | Date | Name |
|-----------|------|-----------------------------|---------|
| Date | Name | Drawn | 24.6.10 |
| 9.5.17 | V7.3 | Dipl. Ing. Jac van de Walle | JW |
| 28.12.17 | V8.0 | | |



Name:
GM70 Parafeed, Amplifier Monoblock
 With even harmonics cancellation

Copyright www.jacmusic.com
 Drawing Nr.:

Page:
 4 of 4