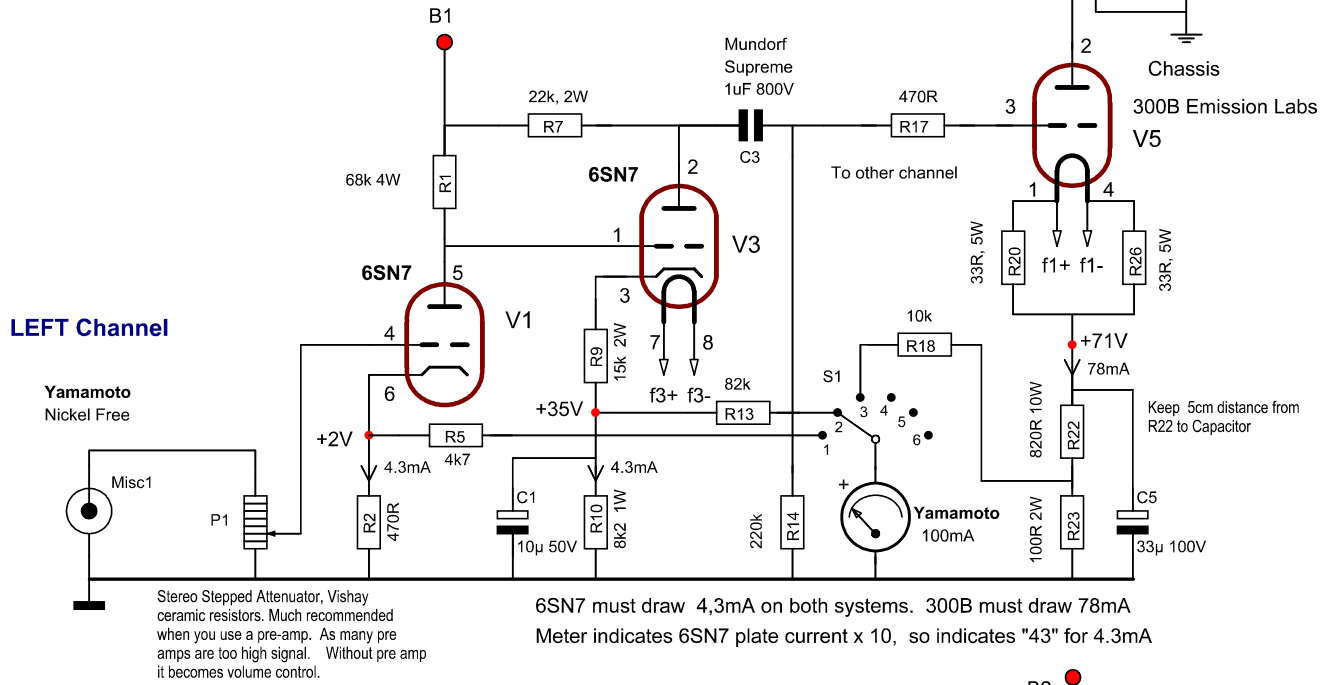


# 300B or 300B-Mesh Stereo Amplifier, with DC coupled driver

## All classical circuit, using very high quality components

### Some Notes

- 1) V1 + V3 is one tube, and V2 + V4 is one tube.
- 2) Yamamoto Amp meter is special type, induction free
- 3) 6SN7 balance tested at 250V/-8V.  $I_p = 7.11\text{mA}$ , difference between systems max 1mA
- 4) For lowest microphonics, use Yamamoto Silver or Gold Octal Teflon Sockets
- 5) Never use oil-paper coupling caps.
- 6) Stepped 10k Poter meter available as Stereo Version.
- 7) Can operate on 300B, or EML 300B-Mesh.

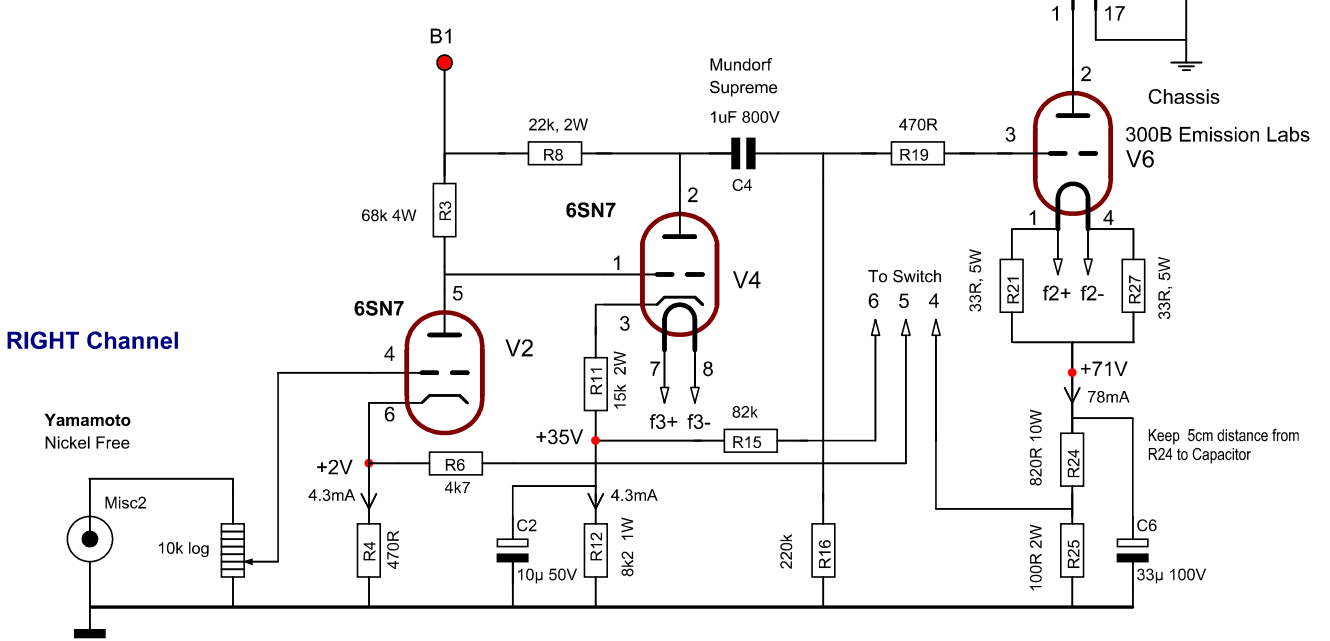


### Specifications:

Output Power = 7.1 Watt @ 5.....80kHz, 3dB

Input sensitivity: 0,7V for full output

Dissipation of one 300B tube is 22Watt.



Document Title:	<b>300B or 300B Mesh Stereo Amplifier, with DC coupled driver</b>		
Date created:	15-Jun-2015	Last Revision:	E 23-Apr-2017
Pages:	1	of	3
Created by:	Dipl. Ing. Jac van de Walle www.jacmusic.com (Copyright)		