

300B or 300B-Mesh Stereo Amplifier, with DC coupled driver

Some Notes

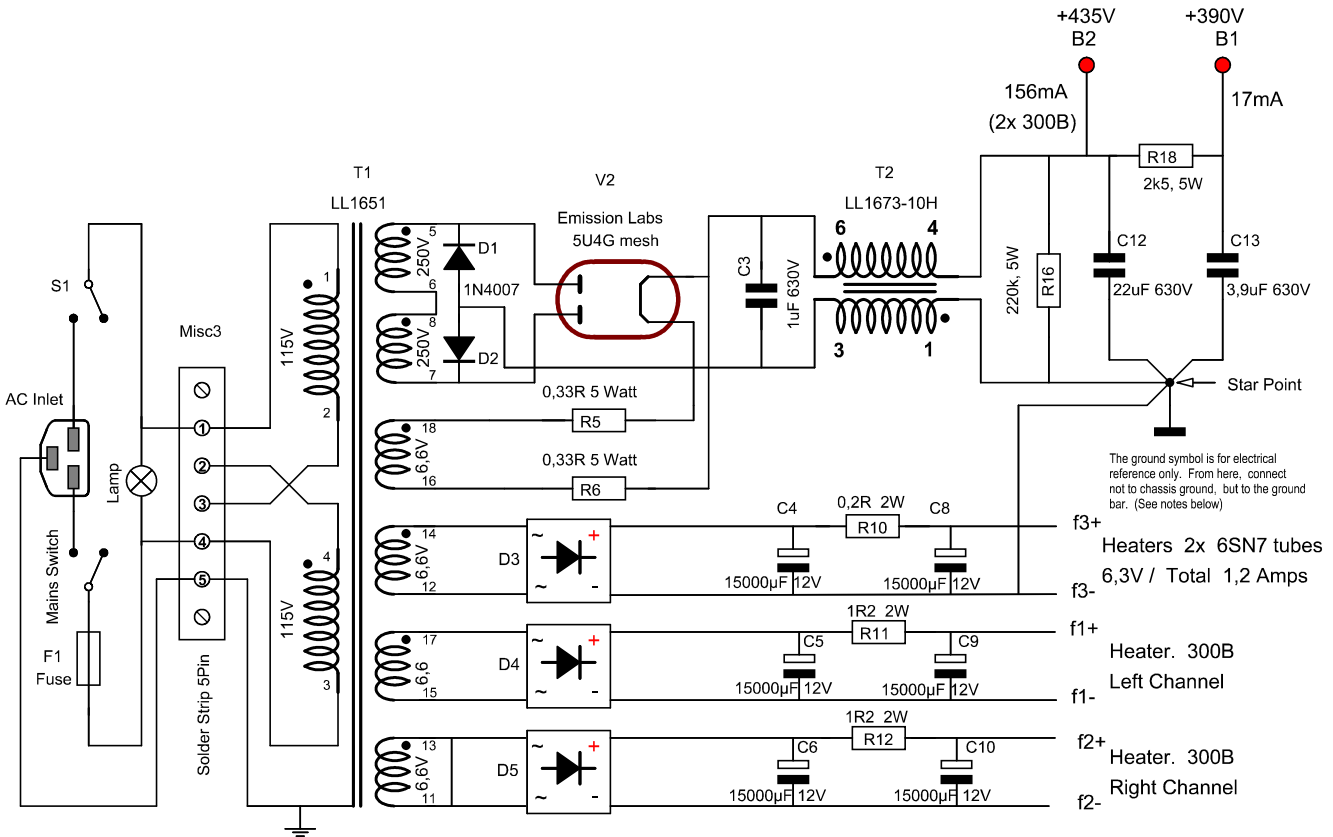
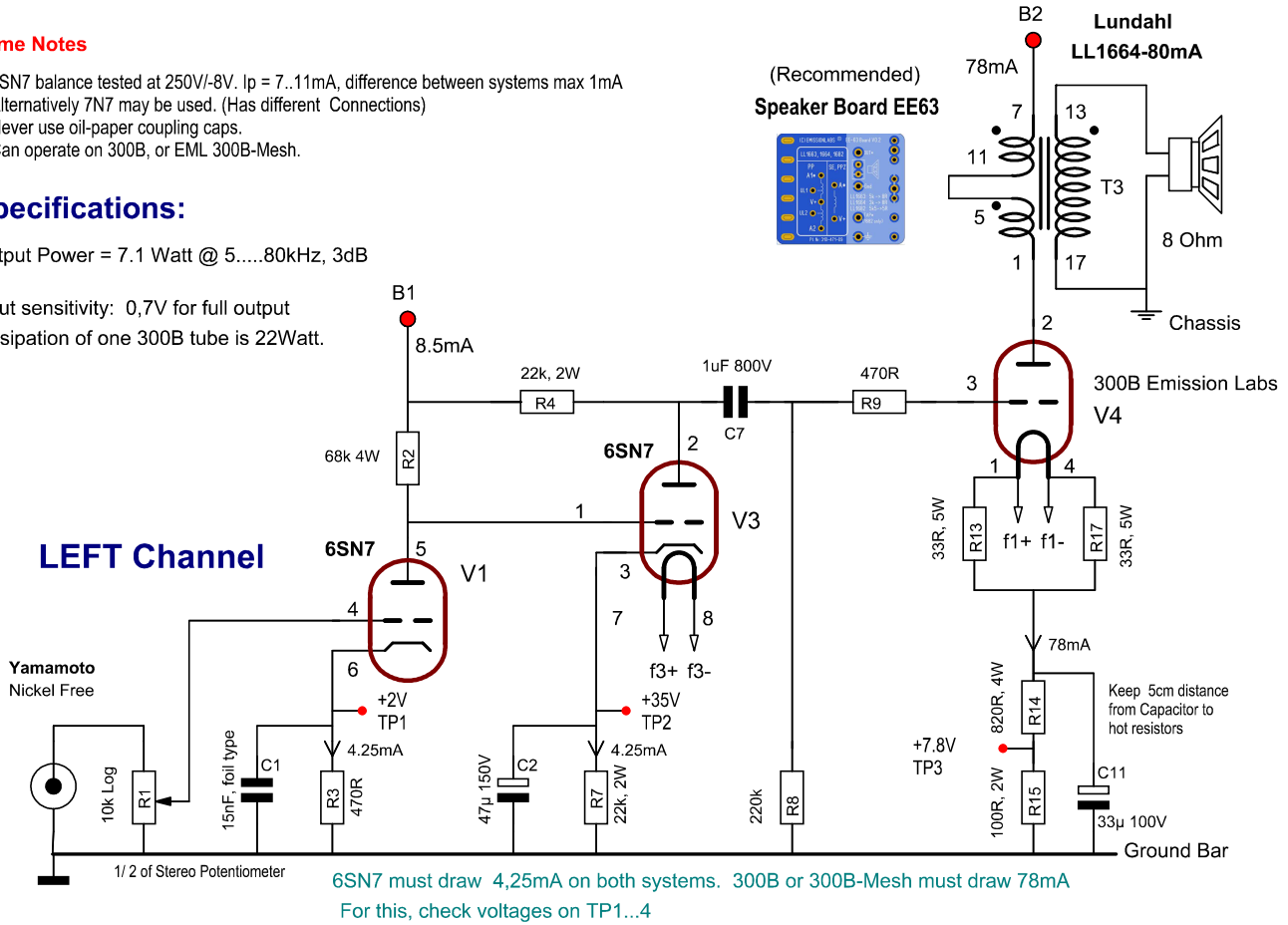
- 1) 6SN7 balance tested at 250V/-8V. $I_p = 7..11mA$, difference between systems max 1mA
- 2) Alternatively 7N7 may be used. (Has different Connections)
- 3) Never use oil-paper coupling caps.
- 4) Can operate on 300B, or EML 300B-Mesh.

Specifications:

Output Power = 7.1 Watt @ 5.....80kHz, 3dB

Input sensitivity: 0,7V for full output

Dissipation of one 300B tube is 22Watt.



Copyright Notification

We have copy right on this schematic. Emissionlabs is a registered brand name.

Internet publication, or other forms of copying or use, is only allowed with our written permission.

Document Title:	300B or 300B Mesh Stereo Amplifier, with DC coupled driver		
Date created:		Last Revision:	G Date: 08-March-2023
Pages:	1	of	2 Page1: Left Ch + PS
Created by:	Dipl. Ing. Jac van de Walle www.jacmusic.com		

