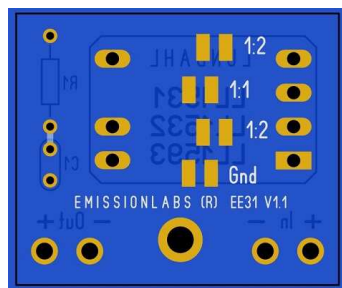
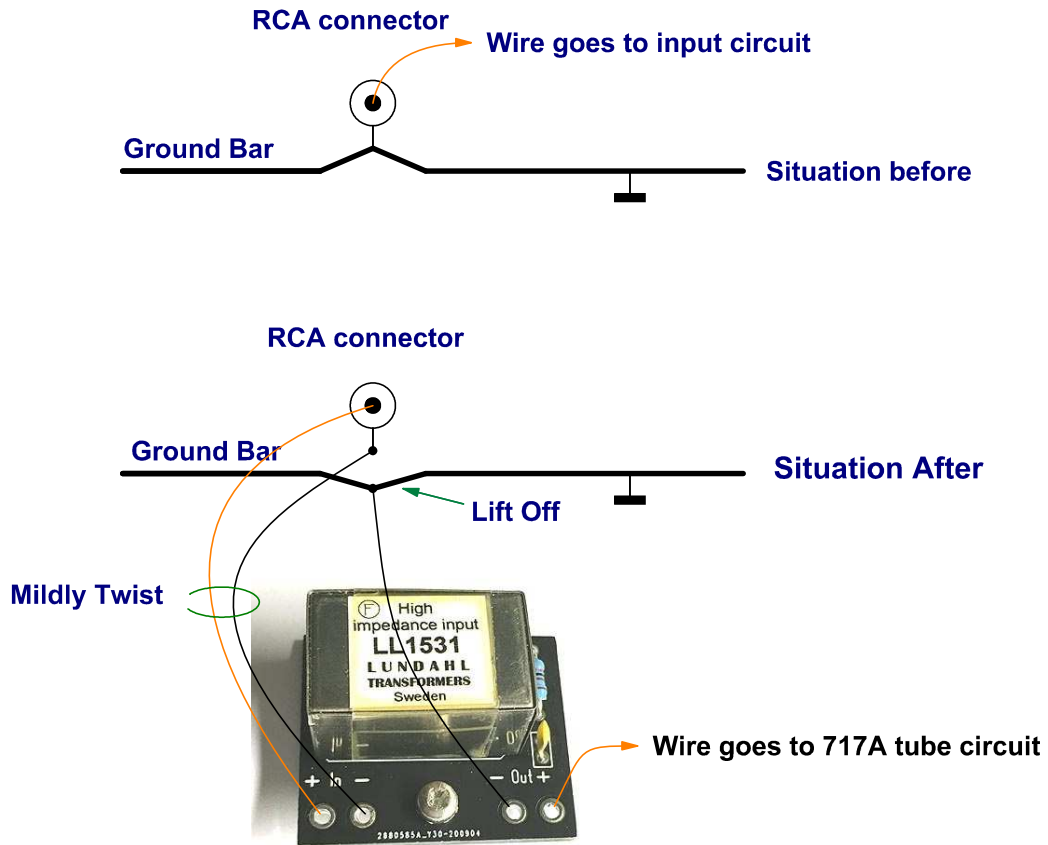


Building EE31 board into Yamamoto amplifier

This works in every amplifier also, provided an isolated ground RCA connector is used.



Close Bridge for 1:1

Document Title:	Hum Reduction, using EE31 board		
Date created:	22-June-2021	Last Revision:	
Pages:	1	of	1
Created by:	Dipl. Ing. Jac van de Walle www.jacmusic.com (Copyright)		